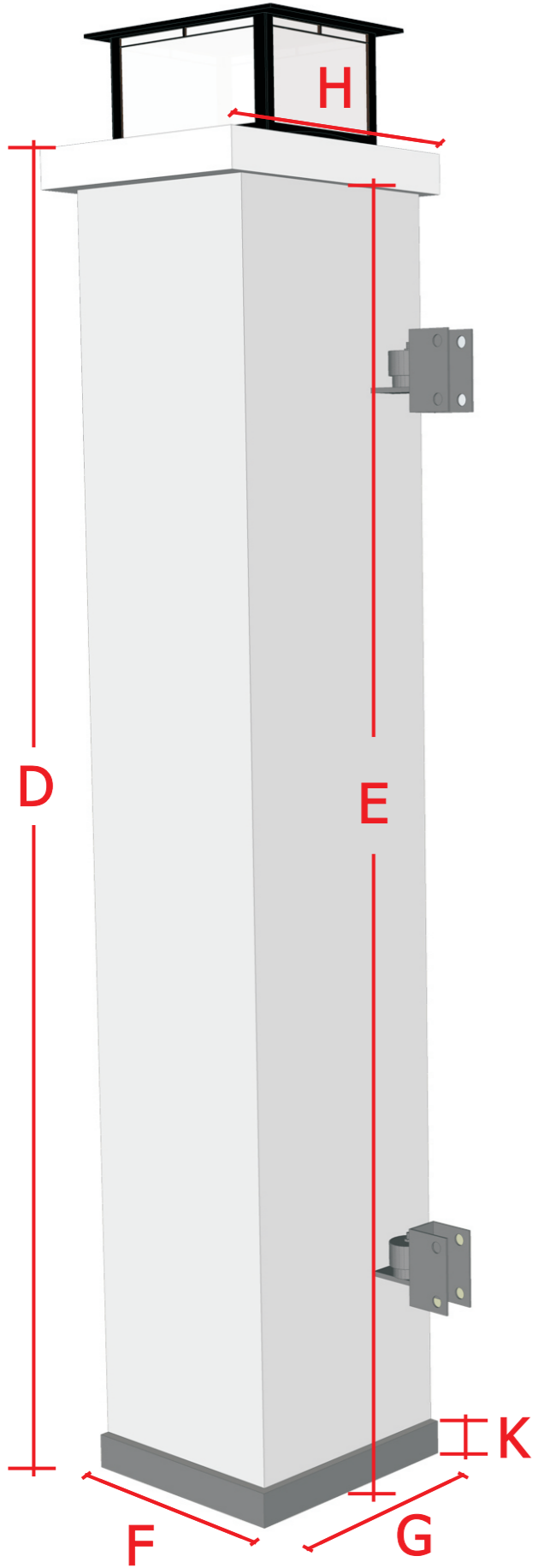
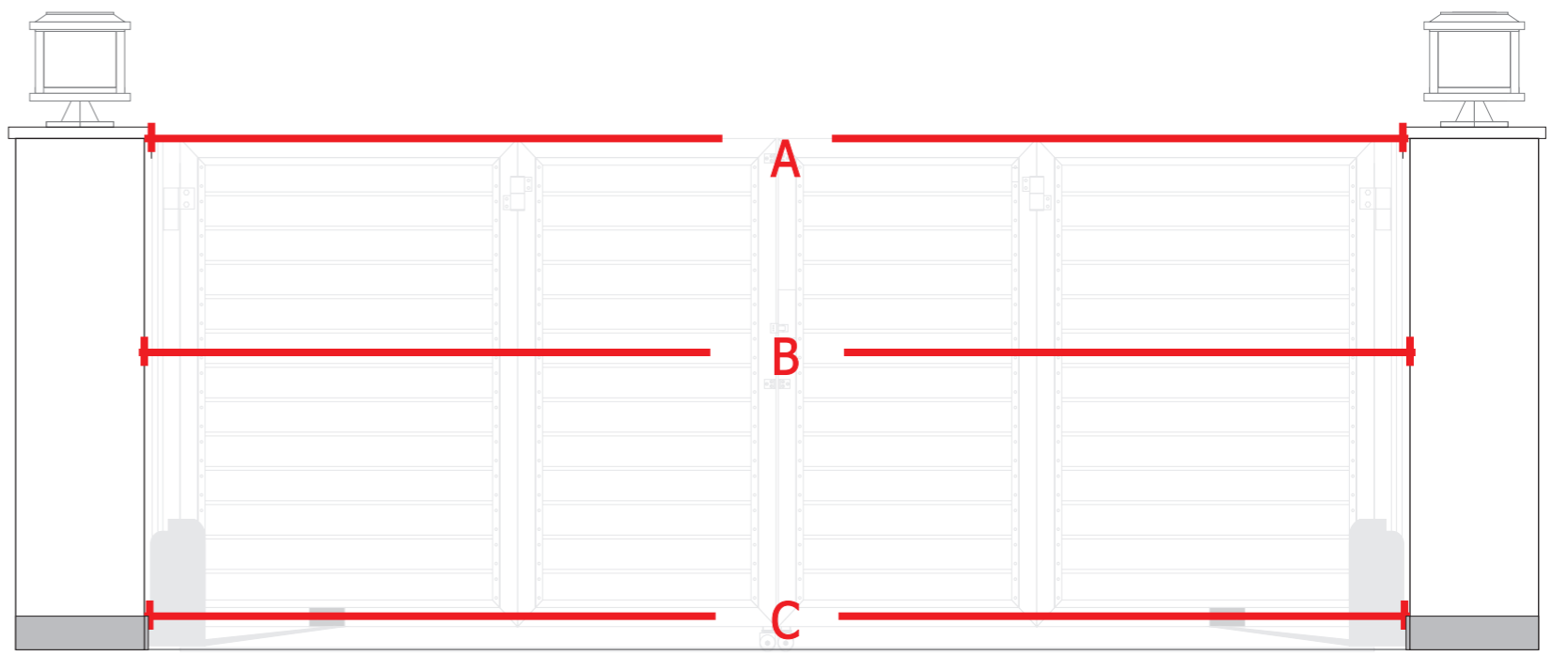
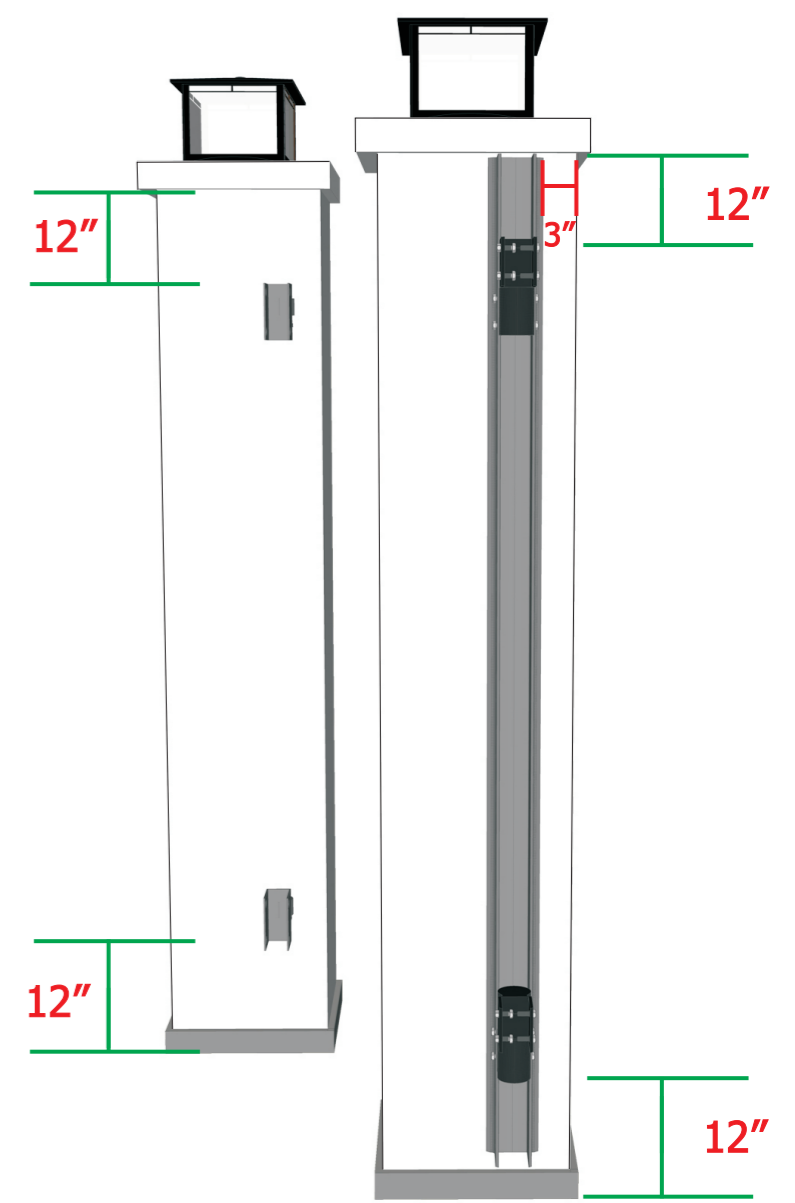
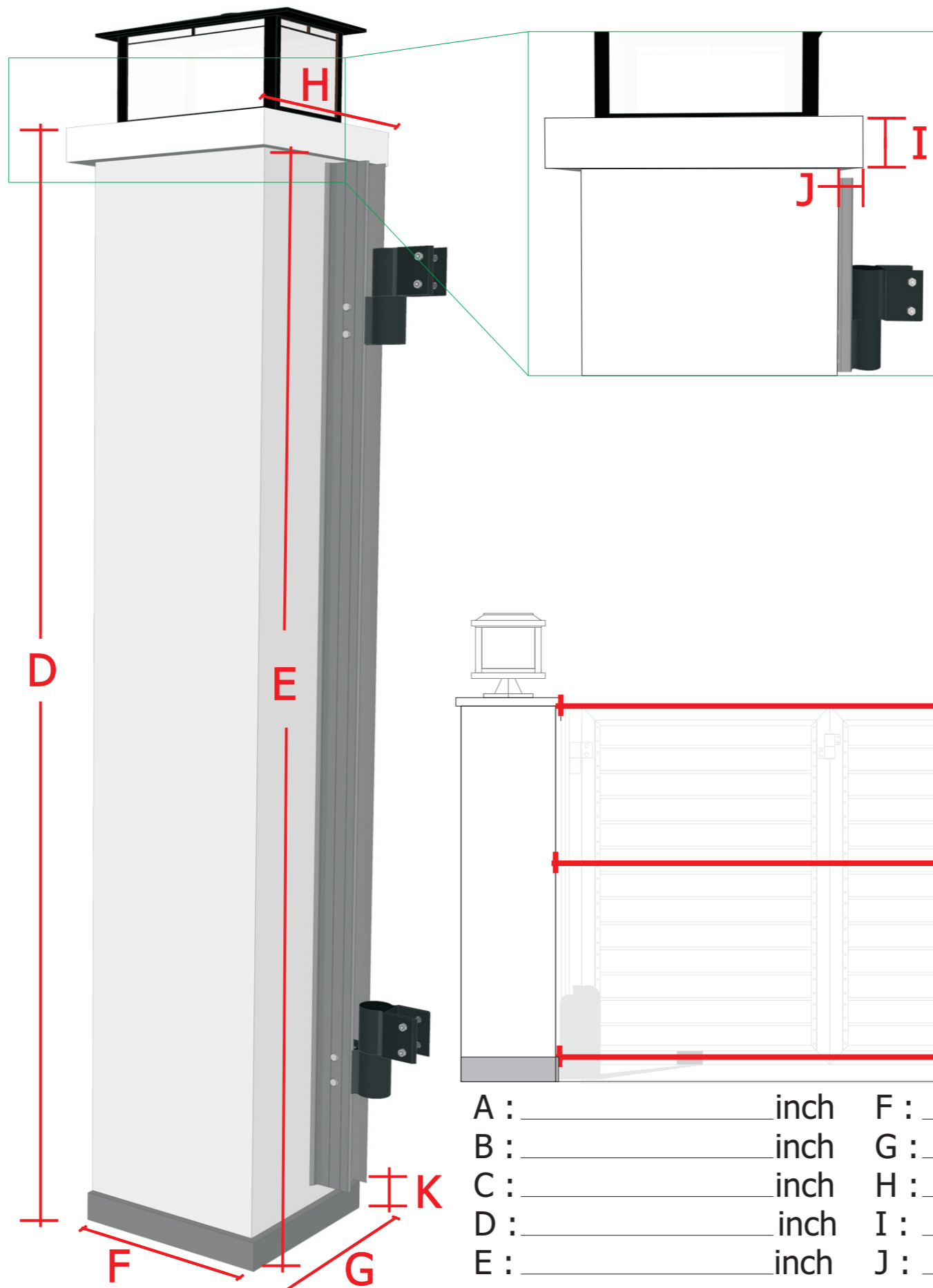


(SITE PRECAUTION) Site Measurement Guide

T-Bar



Alum.Side Bracket



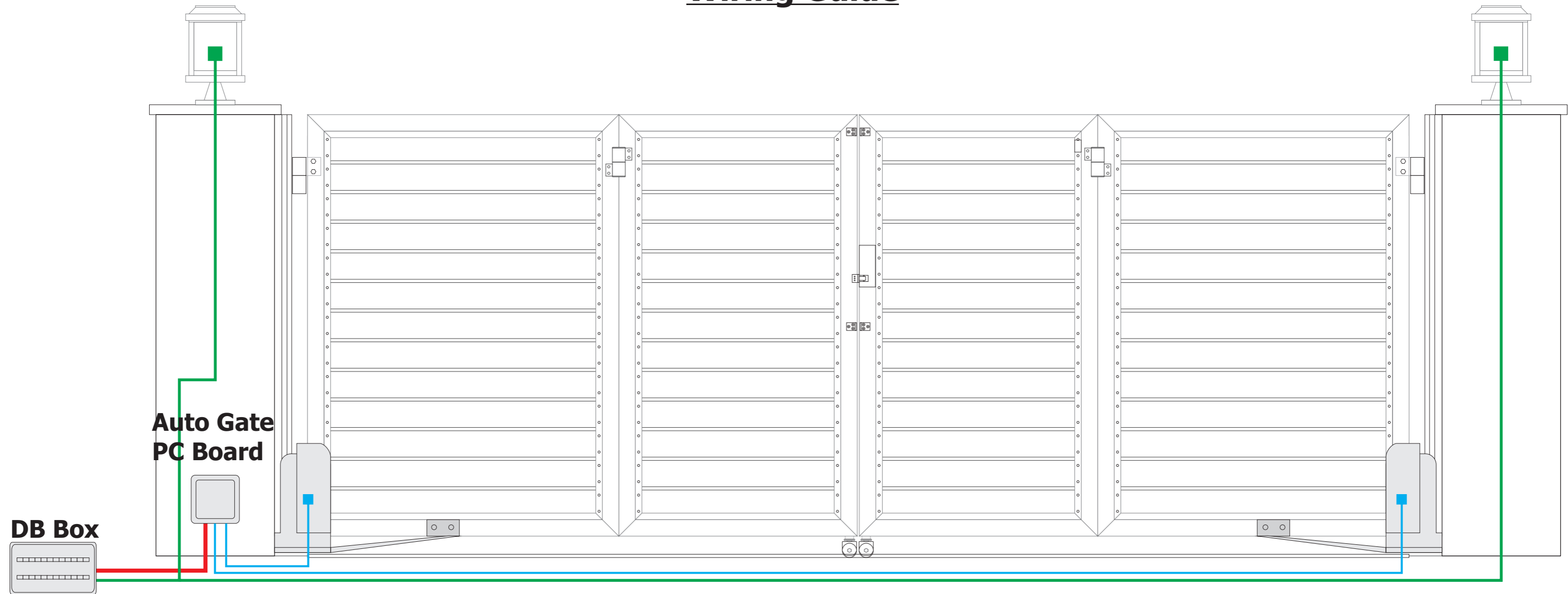
- | | | |
|----------------|----------------|----------------|
| A : _____ inch | F : _____ inch | K : _____ inch |
| B : _____ inch | G : _____ inch | |
| C : _____ inch | H : _____ inch | |
| D : _____ inch | I : _____ inch | |
| E : _____ inch | J : _____ inch | |




Precaution
F & G Minimum 1ft

(SITE PRECAUTION)

Subject to Tolerance based on Actual site Condition

Wiring Guide



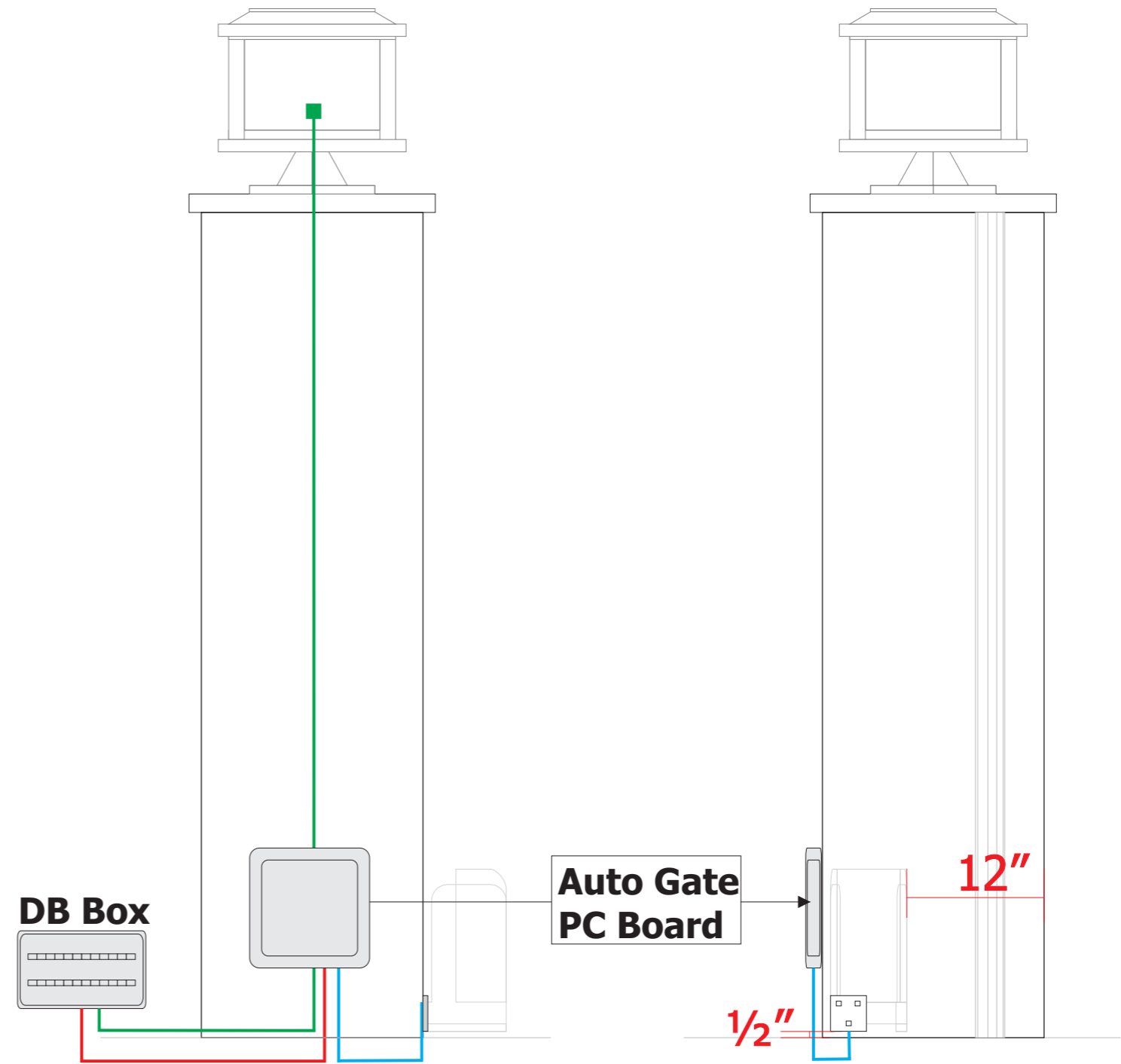
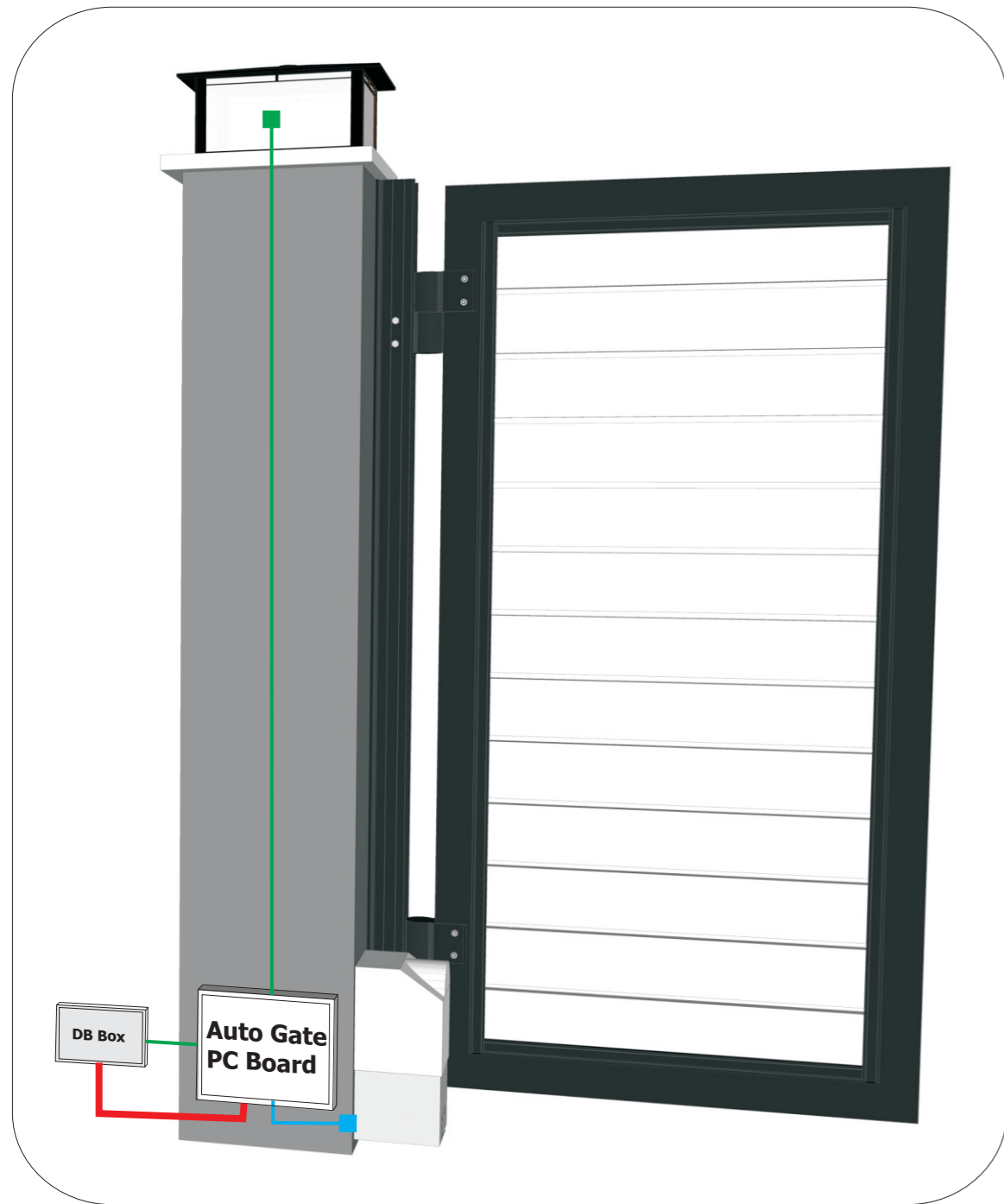
-  7 Core Armored Cable
-  5 Core Armored Cable (Autogate)
-  3 Core Armored Cable (Lighting)

PRECAUTION Wiring Site Condition

1. We are not responsible for the wiring work and wiring quality.
2. Wiring must be done before gate installation.

(SITE PRECAUTION)

Subject to Tolerance based on Actual site Condition
Wiring Guide






Front View

Side View

PRECAUTION Wiring Site Condition

1. We are not responsible for the wiring work and wiring quality.
2. Wiring must be done before gate installation.

-  7 Core Armar Cable
-  5 Core Armar Cable (Autogate)
-  3 Core Armar Cable (Lighting)